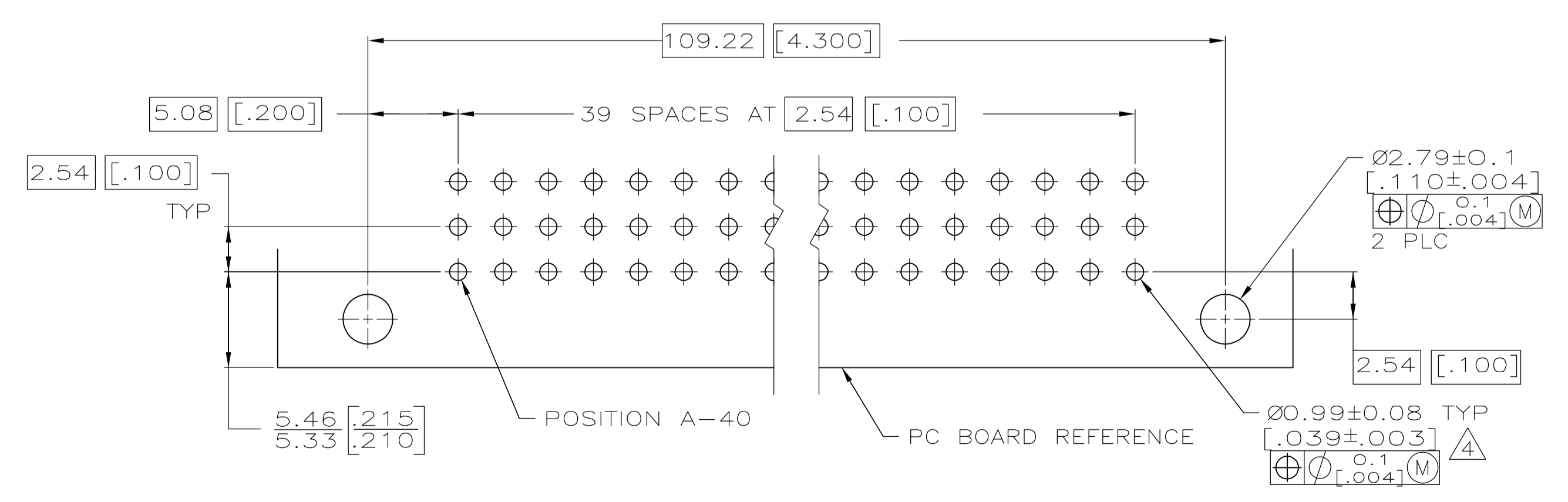
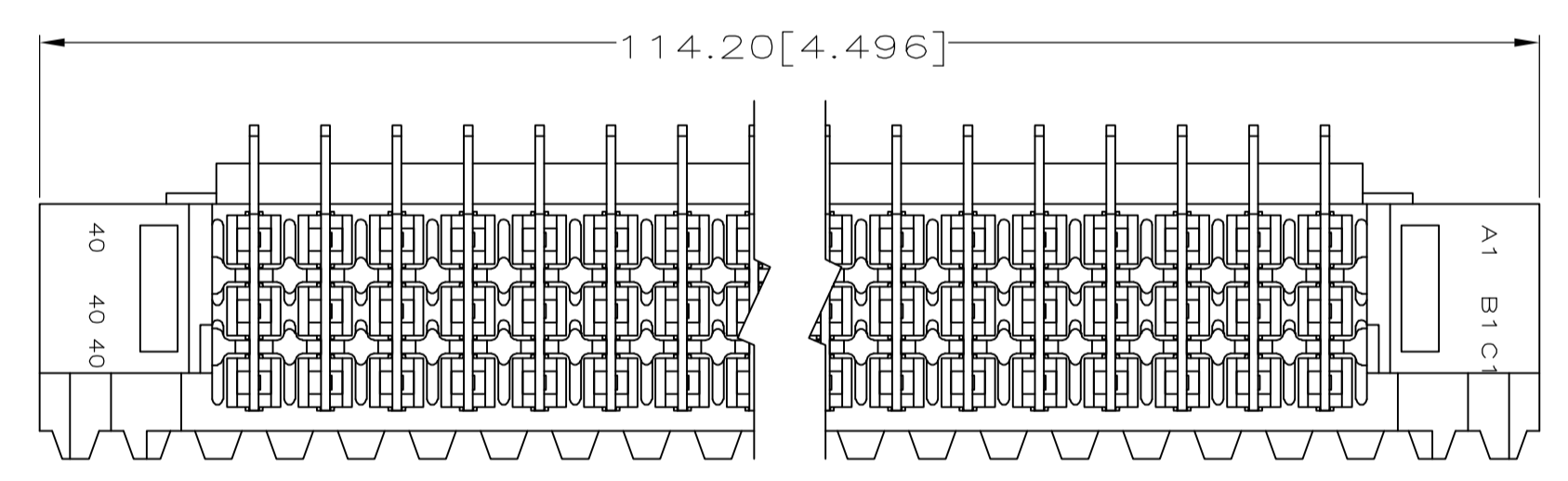
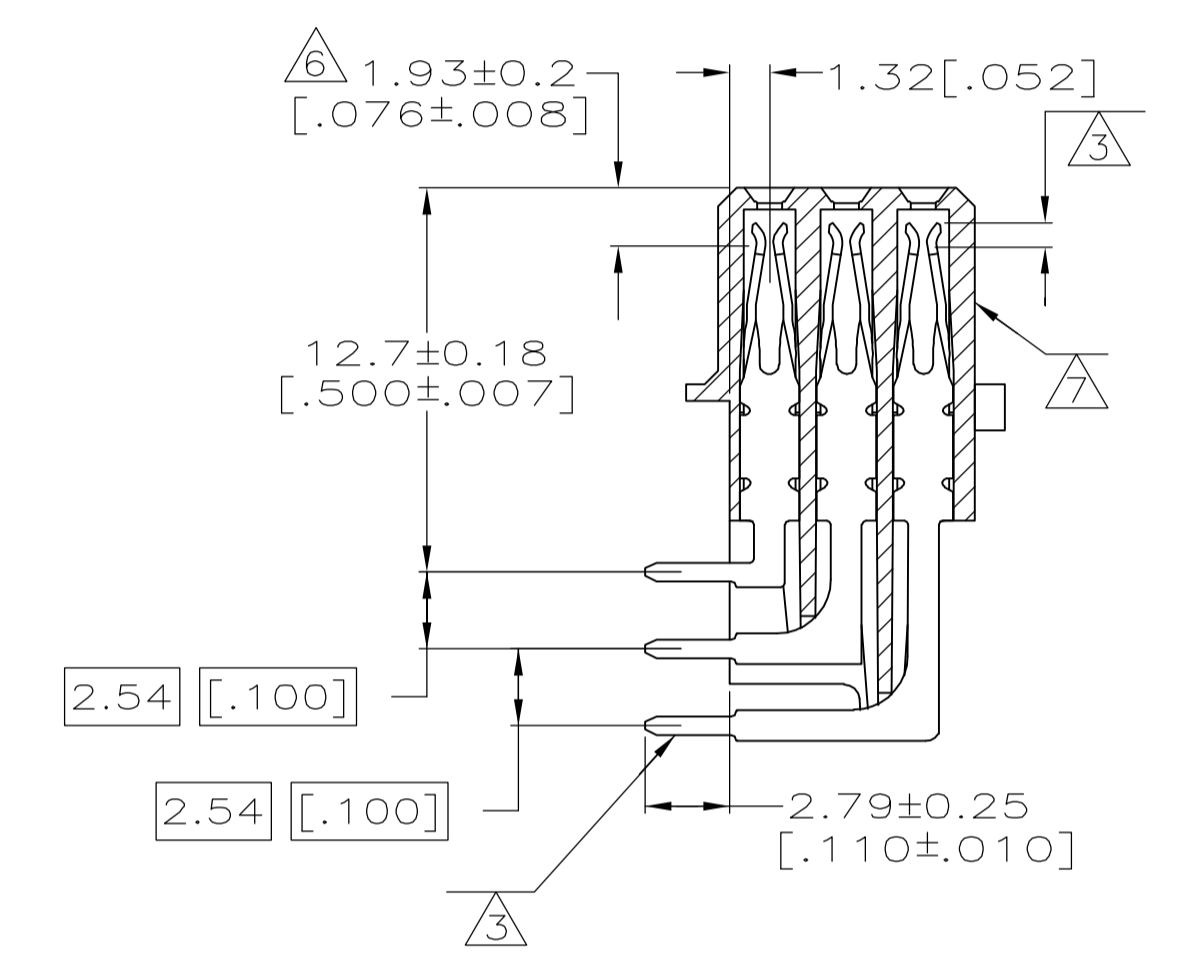
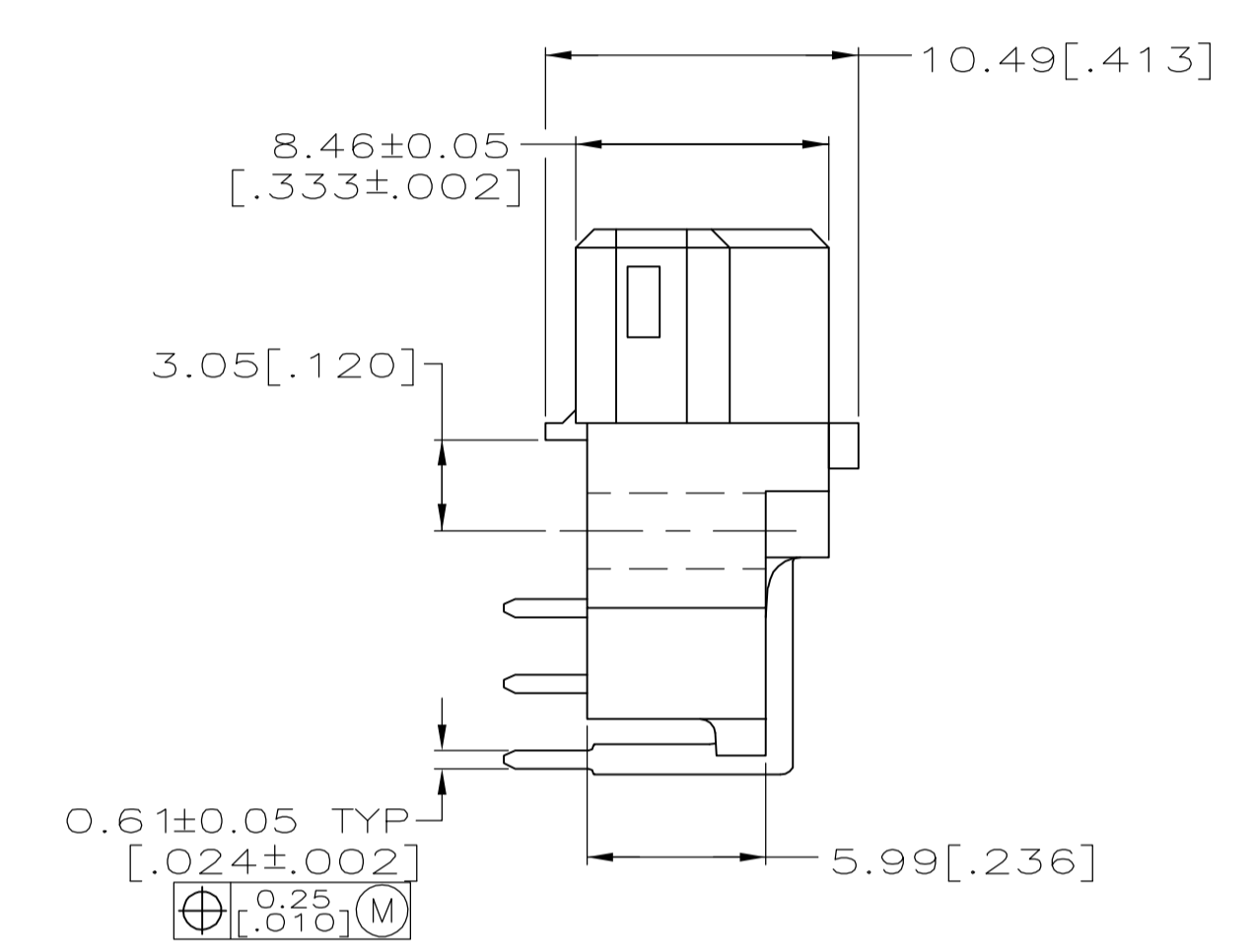
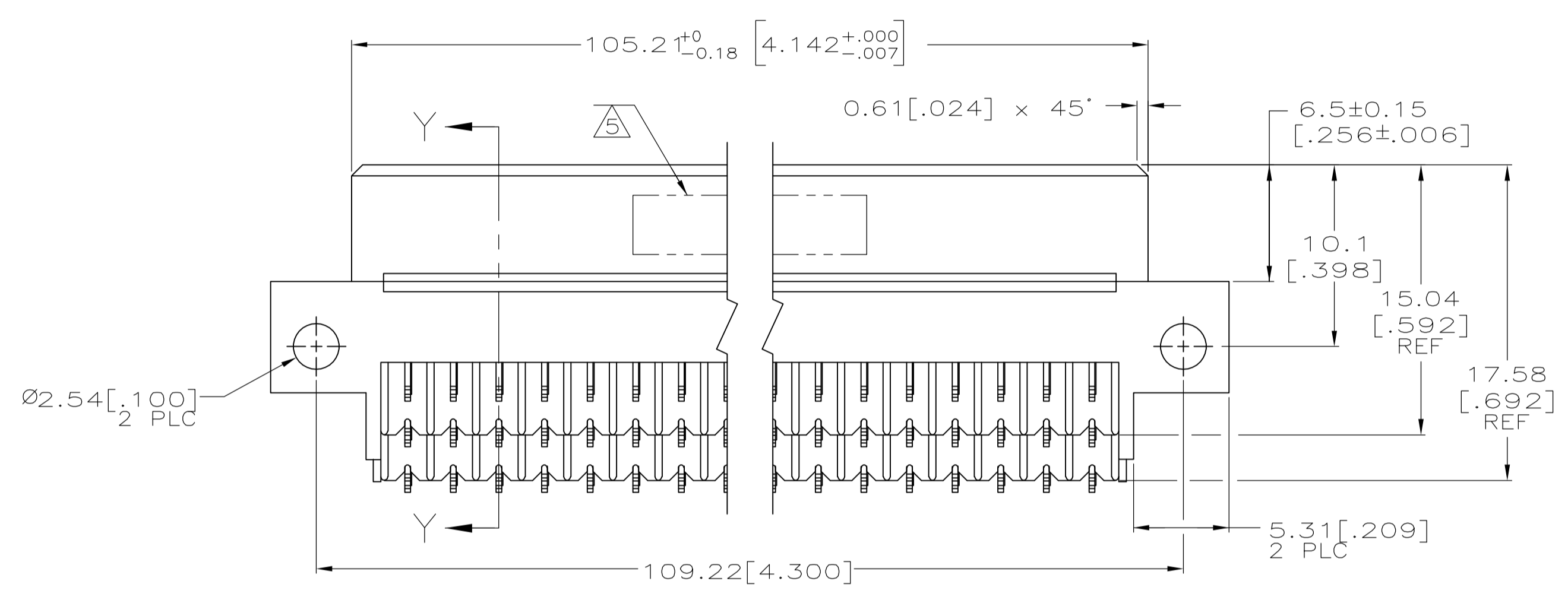
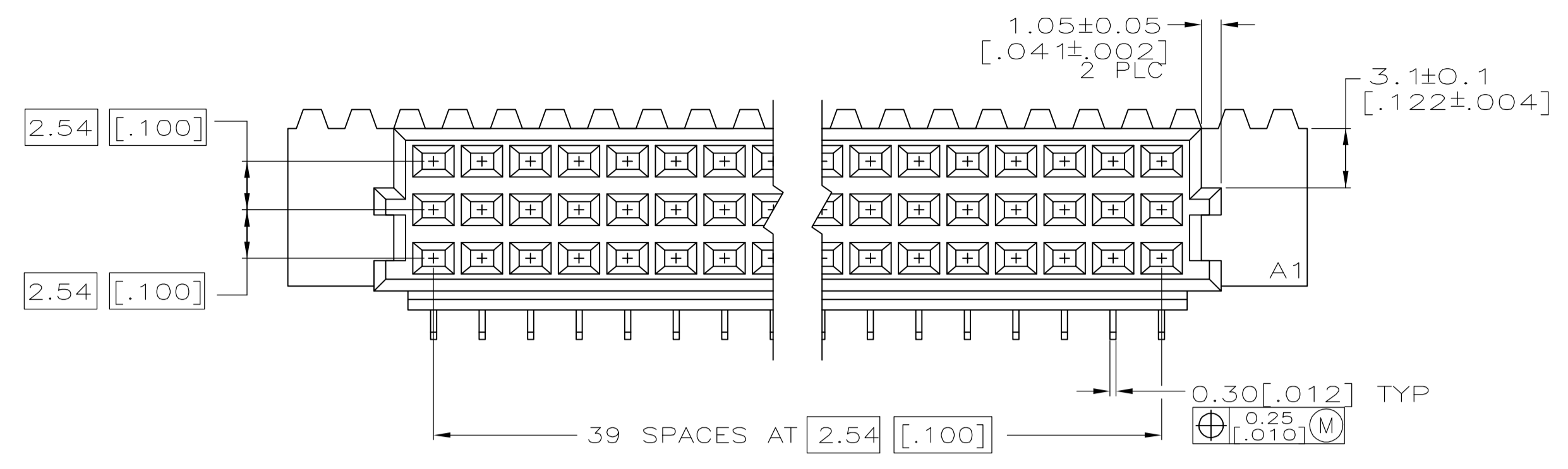


- 1 HOUSING MATERIAL: GLASS-FILLED POLYMER.
- 2 CONTACT MATERIAL: COPPER ALLOY.
- 3 CONTACT FINISH: DIN 41612 CLASS 2 IN CONTACT AREA. TIN PLATE ON POSTS.
- 4 RECOMMENDED HOLE SIZE FOR MANUAL APPLICATION OF CONNECTOR ONTO PC BOARD.
- 5 PART NUMBER, DATE CODE IDENTIFICATION, CSA LOGO, THIS APPROXIMATE AREA.
- 6 CONTACT POINT.
- 7 MARKING ON THIS SIDE.



1 THRU 40	X	X	X	120	5650874-5
1 THRU 40	X	X	X	120	5650874-4
FINISH	POSITIONS LOADED	ROWS LOADED	NO. OF LOADED POSITION	ASSY PART NUMBER	

THIS DRAWING IS A CONTROLLED DOCUMENT.		DIN J. POLIGNONE 03JUN05		Tyco Electronics Corporation	
DIMENSIONS: mm [INCHES]		TOLERANCES UNLESS OTHERWISE SPECIFIED:		Harrisburg, PA 17105-3608	
0 PLC	± -	APVD A. SHARPE 03JUN05		NAME ASSEMBLY, RECEPTACLE, EUROCARD, TYPE R, 120 POSITION, 2.79[.110] SOLDER POSTS	
1 PLC	± -	PRODUCT SPEC		SIZE A1 00779 C=5650874	
2 PLC	± 0.13[.005]	APPLICATION SPEC		RESTRICTED TO	
3 PLC	± -	MATERIAL		WEIGHT	
4 PLC	± -	FINISH		SCALE 4:1 SHEET 1 OF 1 REV 0	
ANGLES	± -	CUSTOMER DRAWING			